

HLF

Warm Air Heater

Galvanized steel plate

Heating medium oil EL or gas

Heat output 23 - 158 kW

Air output 2,400 - 11,000 cbm/h



Application:

- Exhibition halls
- Construction site heating
- Site drying
- De-icing
- Event rooms
- Marquees
- Airplane hangars
- Horticulture
- Grain drying
- Greenhouses
- Rooms for commercial use
- Industrial halls
- Storage rooms
- Agriculture
- Centres of logistics
- Production facilities
- Protection spaces
- Sports halls
- Stable heating
- Tennis halls
- Air domes
- Event tents
- Consumer markets
- Workshops

Mobile, strong, reliable:

Our HLF are optimally steerable with high load-bearing capacity (narrow doors and building sites, difficult grounds). High safety in supply, quick heat at the right place by targeted air steering. Checked by Safety Standards Authority as per DIN EN 13842.

Approved standard technology:

- Oil burner
- One run filter with quick extractor fan
- Switch box
- Axial/radial fan of high performance for high air capacity and pressure
- Heat exchanger made of steel, extremely heat resistant
- Double layer outer casing to insulate against heat losses
- Strong chassis for difficult grounds
- Can be moved by crane
- Varnish possible in any RAL colour wanted

Configuration by request:

- Gas blower
- Retrofit kit for oil preheating
- Burner hood with oil drip tray
- Oil drip tray and oil tank
- Wet room thermostat with 10 m cable and connection plug
- Exhaust system
- Hose connection for recirculation mode
- Blow out adapter
- Front deflection pulley



GUSTAV NOLTING GmbH

Orbker Straße 38 | D-32758 Detmold

Phone +49 (0) 52 31 . 60 01-0

Fax +49 (0) 52 31 . 60 01-51

info@gustav-nolting-gmbh.de

www.gustav-nolting-gmbh.de



Please see back page as well ►

Technical Data

Type	HLF-	Axial Fan					Radial Fan	
		30	50	75	120	150	120 R	150R
Nominal heat loading capacity	kW	28	50	75	120	158	120	158
Rated heat output	kW	23	45	69	110	150	110	150
Air output	cbm/h	2,400	4,500	5,800	8,500	11,000	8,500	11,000
Discharge pressure	Pa	50	50	50	50	100	300	300
Motor capacity	kW	0.13	0.48	0.64	1.40	1.75	3.0	4.0
Electric connection	V	230	230	230	230	230	400	400
Length	mm	1,255	1,510	1,610	1,820	1,960	2,400	2,480
Width	mm	560	640	720	785	785	785	785
Height	mm	910	1,015	1,015	1,185	1,400	1,185	1,400
Diameter air exhaust port	ø A	300	400	450	500	600	500	600
Diameter flue gas port	ø R	150	150	150	200	200	200	200
Weight without burner	kg	110	140	170	260	350	300	400

Subject to changes of dimensions and technical data (Version: 2019-10)

HLF

Warm Air Heater

Heating medium oil EL or gas

Heat output 23 - 158 kW

Galvanized steel plate

Air output 2,400 - 11,000 cbm/h

HLF with radial fan for large air output and pressure by powerful fans.

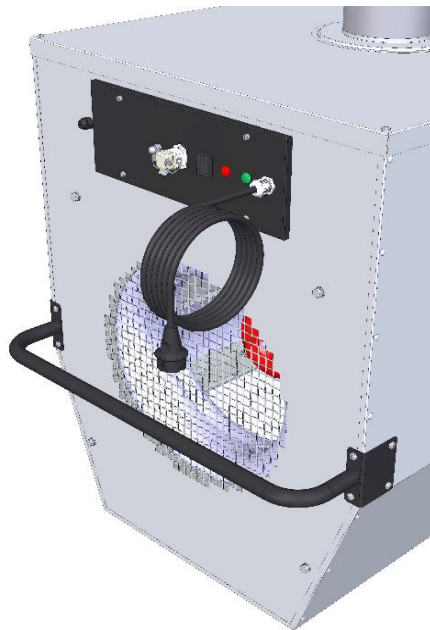


Radial fan / burner hood / oil drip tray

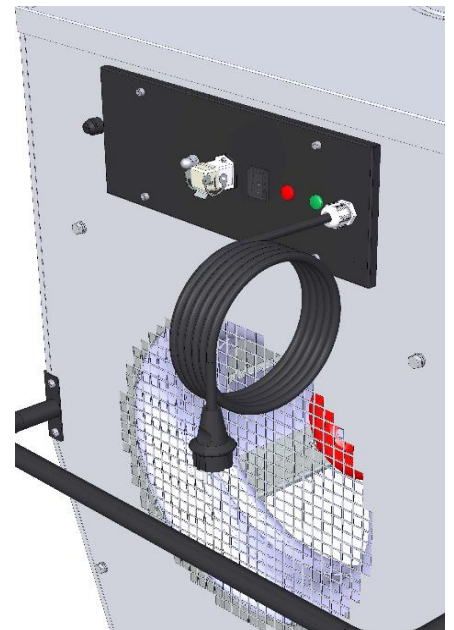
Illustration partly with configuration possibilities.



Varnish possible in any RAL colour wanted.



Axial fan with fan protection bar



Mounted control panel HLF - 30 / 50 / 75



GUSTAV NOLTING GmbH

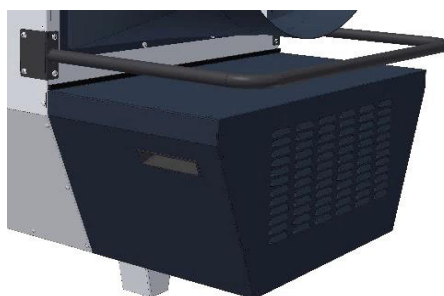
Orbker Straße 38 | D-32758 Detmold

Phone +49 (0) 52 31 . 60 01-0

Fax +49 (0) 52 31 . 60 01-51

info@gustav-nolting-gmbh.de

www.gustav-nolting-gmbh.de



Burner hood