

S/L

Warm Air Heaters

Galvanized steel plate

Heating medium oil EL or gas
Heat output 21 – 1,163 kW
Air output 2,800 – 72,500 cbm/h



Application:

- Exhibition halls
- Construction site heating
- Site drying
- De-icing
- Event rooms
- Marquees
- Airplane hangars
- Horticulture
- Grain drying
- Greenhouses
- Rooms for commercial use
- Industrial halls
- Storage rooms
- Agriculture
- Centres of logistics
- Production facilities
- Protection spaces
- Sports halls
- Stable heating
- Tennis halls
- Air domes
- Event tents
- Consumer markets
- Workshops

Powerful, energy saving, of low noise:

Our S/L series = stationary/lying covers with 28 types a wide use spectrum. High standards in technical safety and fair consumption values guarantee an economic operation of these space saving "central heaters". Checked by Safety Standards Authority as per DIN EN 13842.

Proved technology standards:

- Optional for firing by oil or gas
- Double layer cladding as insulation against heat losses
- Heat exchanger made of heat resistant steel
- Cleaning opening and inspection flap
- Radial fan of low noise
- Running wheel is dynamically and statically balanced
- Switch box inclusive operating switch
- Triple Controller with safety thermostat
- Take-in bar with changeable blind plates
- Varnish possible in any RAL colour wanted

If especially requested we can supply these warm air heaters completely with burner, channel system, exhaust system and accessories or in WF design (see back page under **)

Our range of services: Consulting, planning, design, manufacturing, installation and service ... tell us your wishes!

GUSTAV NOLTING GmbH

Orbker Straße 38 | D-32758 Detmold

Phone +49 (0) 52 31.60 01-0

Fax +49 (0) 52 31.60 01-51

info@gustav-nolting-gmbh.de

www.gustav-nolting-gmbh.de



L Series



S Series

S/L

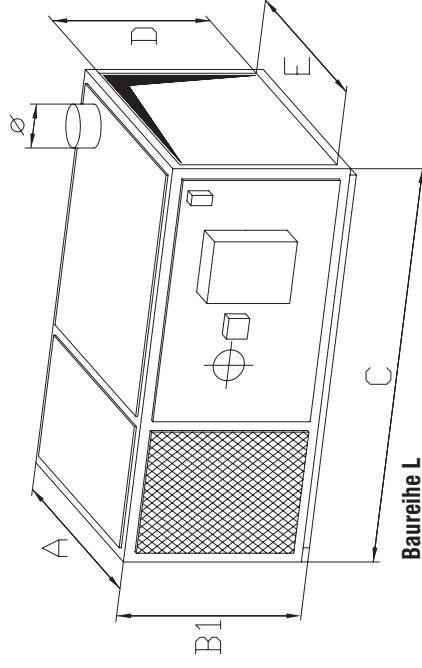
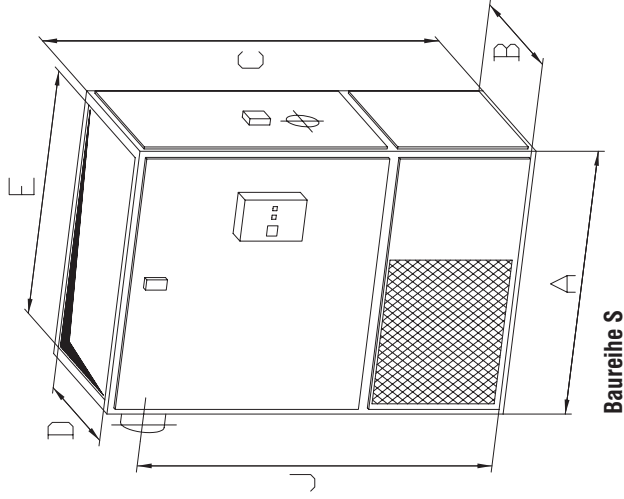
Warm Air Heaters

Galvanized steel plate

Heating medium oil EL or gas
Heat output 21 – 1,163 kW
Air output 2,800 – 72,500 cbm/h

GUSTAV NOLTING GmbH

Orbker Straße 38 | D-32758 Detmold
Phone +49 (0) 52 31.60 01-0
Fax +49 (0) 52 31.60 01-51
info@gustav-nolting-gmbh.de
www.gustav-nolting-gmbh.de



Technical Data	S/L-	Standard										On Request				
		35*	70*	120**	140	175**	210	244**	291	349**	465	640	814	988	1163	
Nominal heat loading capacity	kW	22-41	40-77	87-149	168	190	233	265	323	388	505	695	885	1074	1264	
Rated heat output	kW	21-38	37-71	81-138	140	175	210	244	291	349	465	640	814	988	1.163	
Air output	cbm/h	2,800	4,500	7,500	8,700	10,000	13,000	15,200	19,000	21,800	25,400	39,800	50,000	61,000	72,500	
Flue gas	Pa	6	6	8	12	8	11	12	15	15	8	20	20	24	35	
Motor capacity	kW	0.75	1.10	2.20	2.20	3.00	3.00	4.00	4.00	5.50	7.50	2 x 5.50	2 x 7.50	2 x 7.50	2 x 11.00	
Dimension A	mm	750	960	1,285	1,285	1,285	1,685	1,685	1,685	1,685	2,300	2,300	3,005	3,005	3,005	
Dimension B	mm	550	660	850	1,020	1,020	1,285	1,285	1,285	1,285	1,770	1,770	2,360	2,360	2,360	
Dimension B1	mm	605	715	905	1,075	1,075	1,340	1,340	1,340	1,340	1,890	1,890	2,480	2,480	2,480	
Dimension C	mm	1,555	1,755	1,970	2,155	2,155	2,425	2,425	2,425	2,425	3,270	3,270	4,200	4,200	4,200	
Air outlet D	mm	-	-	760	930	930	1,195	1,195	1,195	1,195	1,620	1,620	2,180	2,180	2,180	
Air outlet E	mm	-	-	1,195	1,195	1,195	1,595	1,595	1,595	1,595	2,155	2,155	2,825	2,825	2,825	
Flue gas J	mm	790	820	1,645	1,840	1,840	2,090	2,090	2,090	2,090	2,840	2,840	3,670	3,670	3,670	
Flue gas diameter	mm	150	150	200	250	250	350	350	350	350	450	450	550	550	550	
Weight without burner	kg	160	240	390	475	495	825	825	830	840	1,540	1,620	3,625	3,715	3,920	

* S 35 and S 70 with integrated blow-out head /inclusive blow-out bar

** Weatherproof design can be supplied for outside installation

Subject to changes in dimensions and technical data (Version: 2013-06)